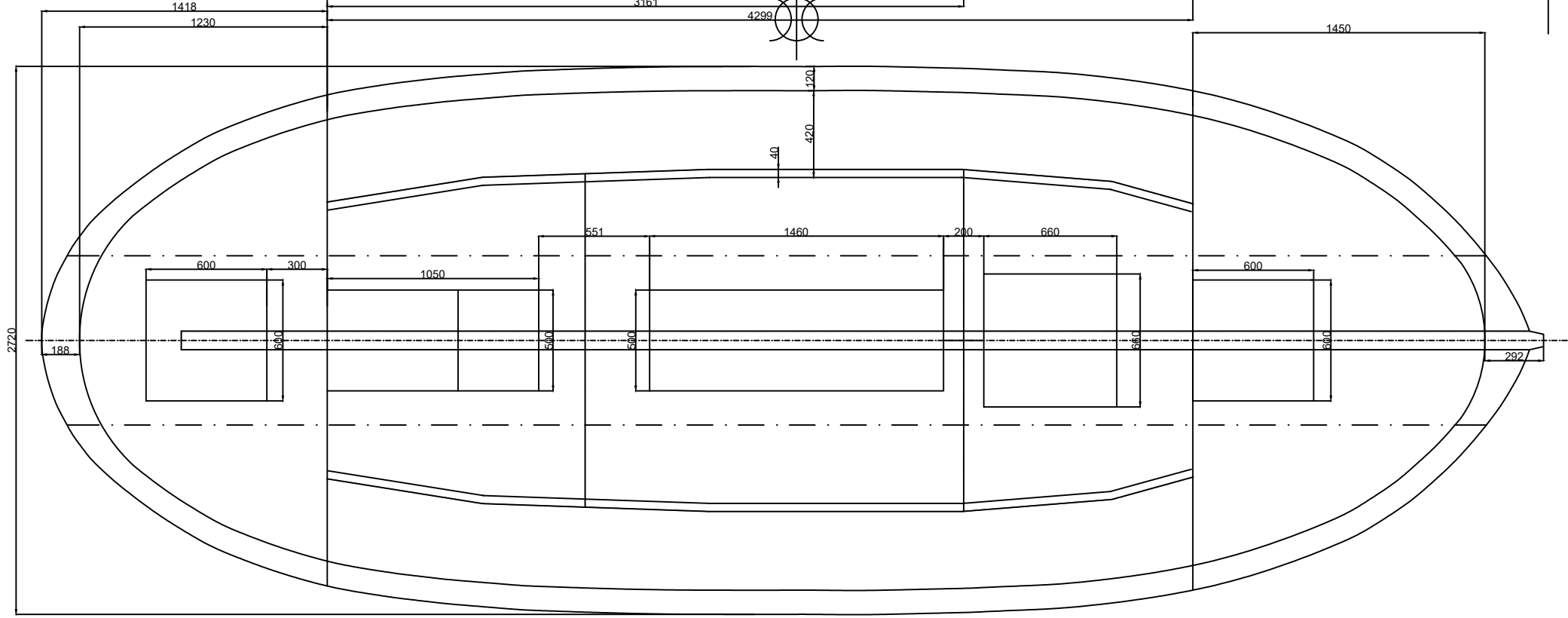
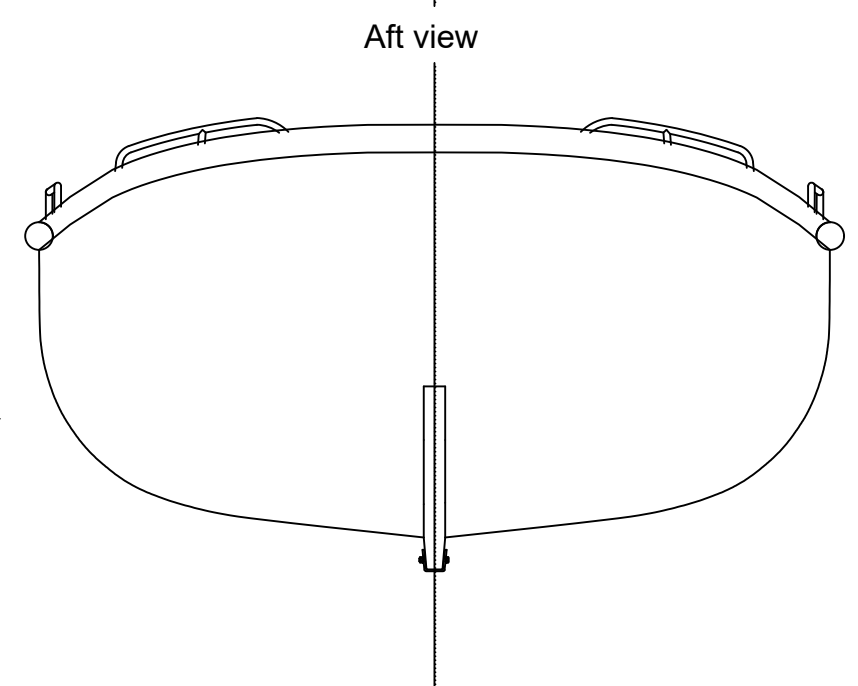


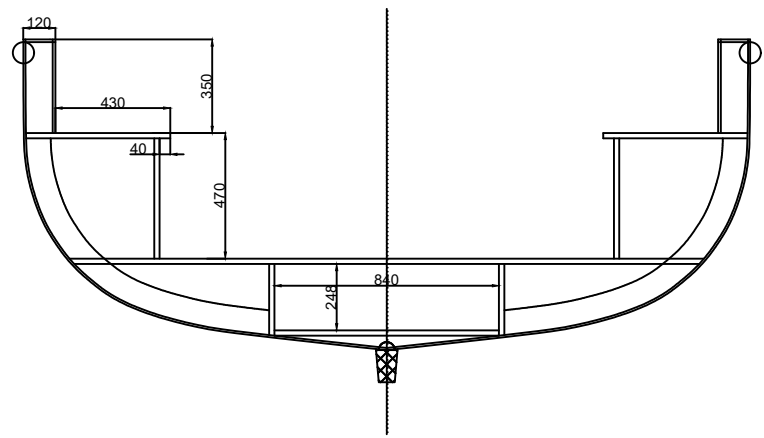
Fore view



Midship section



Aft view



LC7.50-2
 General Arrangement
 2019/01/31_MR
 Electric motor
 A2 - 1:20